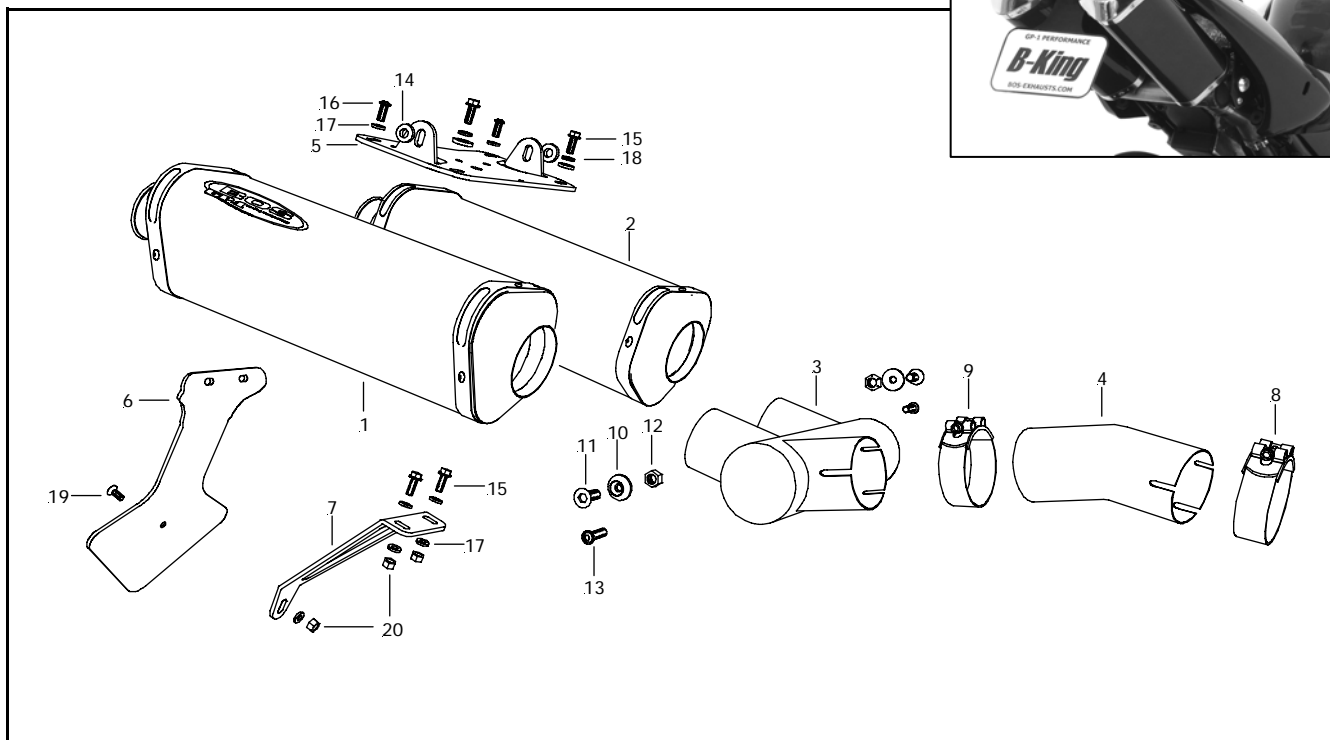


BOS GP-1 SLIP-ON 2007 AND UP



Pos	Qty	Description	Part No.	Order number
1	1	Muffler stainless right	299749	0730513SL - Stainless
	1	Muffler carbon right	299750	0730513CL - Carbon
2	1	Muffler stainless left	299751	
	1	Muffler carbon left	299752	
3	1	Manifold	298721	
4	1	Adaptor	298722	
Mounting kit :			280716	
5	1	Mounting bracket	227721	
6	1	Licence plate holder	337704	
7	1	Licence plate holder bracket	337705	
8	1	Clamp 51	290051	
9	1	Clamp 54	290054	
10	2	Aluminium washer M8	408051	
11	2	Bolt M8 x 45	408088	
12	2	Lock nut M8	408018	
13	2	Round allen bolt M8 x 10	408081	
14	2	Washer M8 x 24	408062	
15	4	Bolt M6 x 20	408052	
16	2	Flat allen bolt M6 x 16	408078	
17	9	Washer M6 x 18	408058	
18	2	Lock washer M6	408001	
19	1	Flat allen bolt M6 x 16 (conical)	408113	
20	3	Lock nut M6	408004	
21	3	Tie-wrap	290003	
22	1	mounting instructions	426705	

Order number

0730513SL - Stainless
0730513CL - Carbon

Weight

Original: 13.2 kg
Bos: 5.6 kg

Noiselevel @ 4750 RPM

Original: specified 90.0 dB(A)
 measured 90.2 dB(A)
Bos: Ec appr. 93.0 dB(A)
 open 95.0 dB(A)

Performance

Bos: 177.7 Hp / 9468 rpm
Stock: 174.5 Hp / 9485 rpm
Max Hp incr.: + 5.0 Hp / 5926 rpm
Max Nm incr.: + 6.0 Nm / 5926 rpm

Tips

This version comes with the Bos license plate bracket
The taillight is not included
Our other version has a bracket to mount the original license plate / tail light assembly
More information like photos and a full color dyno graph can be found on: www.bos-exhausts.com

